



Marquisolette

## **markilux 740**

The vertical blind with a difference – an ideal combination of vertical blind and drop-arm blind.

01 **Product Characteristics**

Wind resistance class 2  
Beaufort 5 → 7.5–10.4 m/s → 28–37 km/h → 17–23 mph

02 side view: standard gearbox  
03 operation



side view: motor  
04 operation <sup>1)</sup>



drop arms with stainless steel gas pistons



10 extended view,  
cassette with protective profile



1) Optional accessories

## Product Characteristics

### Description

- marquisolette with angled guide rails tensioned by gas piston technology – for areas up to 9 m<sup>2</sup>

### Special features

- fully encompassing cassette that protects the cover perfectly
- compact cassette profile that lends an attractive appearance to the unit
- as standard with protective profile – when closed, it lends the blind a finished appearance
- height of the vertically shaded section can be individually set (depends on the overall height)
- fixture directly through the angled rails – the cassette is positioned right against the wall
- optimum cover tension provided by drop arms that use high-grade stainless steel gas pistons
- can be used safely even in light wind as the arms lock in place in the angled rails when in the lowered position

### Dimensions

- single unit: 74–300 cm in width, maximum extension 300 cm
- maximum width × height: 300 mm × 300 cm
- intermediate sizes are available

### Roller tube and lateral bearings

- round roller tube Ø 63 mm with keyway, galvanised steel
- the roller tube bearing is made of stainless steel

### Awning profiles

- extruded aluminium, in façade quality, powder coated
- cassette profile in one piece, angular, height × depth 95 mm × 95 mm
- angled guide rails, width × depth 30 mm × 49 mm
- front profile round, Ø 32 mm

### Drop arms

- angled profile 32 × 30 mm, attractively rounded, extruded aluminium, powder coated
- arm length 60 cm, maximum angle of drop 120°
- excellent tension provided by marine grade stainless steel V4A gas pistons, pressure 400 N

### End caps

- the cassette end caps are made of high-quality plastic, powder coated
- the front profile end caps are made of high-quality plastic, powder coated
- the front profile end caps are made of die-cast aluminium, powder coated

### Fixture brackets

- self-supporting cassette on guide tracks
- without brackets, fixture directly through the guide tracks
- face or reveal fixture

01

02

03

04

05

06

07

08

09

**10**

11

12

13

14

15

16

17

18

19

01 **Frame colours**02 **markilux frame colours without surcharge**

03 traffic white, RAL 9016



04 metallic aluminium, RAL 9006



05 grey brown, similar to RAL 8019

06 off-white textured finish, 5233 <sup>1)</sup>07 stone grey metallic, 5215 <sup>1)</sup>08 anthracite metallic, 5204 <sup>1)</sup>09 havana brown textured finish, 5229 <sup>1)</sup>**Non-standard powder-coated finish**

Bespoke frame colours incur a surcharge – matt, metallic, finely textured and pearl finishes as well as other colour ranges (DB, Tiger etc.) on request. All frame colours are available at a surcharge with enhanced corrosion protection.

Colours may differ slightly from those depicted in both hue and finish.

**1)** textured finish

## Dimensions and configuration options

Single unit

		Awning width					Minimum blind width	
		100	150	200	250	300	Hard-wired motor	Radio-controlled motor
Order dimensions		50	101	151	201	251	75	74
		100	150	200	250	300		
AH	120						75	74
	160							
	200							
	250							
	300							

dimensions in cm

AH = unit height

Operation	standard	optional
crank handle, outside	✓	—
crank handle, at the rear	—	✓
crank handle, internal operation	—	✓
hard-wired motor	—	✓
radio-controlled motor io, 868 MHz	—	✓
radio-controlled motor RTS, 433 MHz	—	✓

**Coupled awnings**  
not available

Awning cover	fabric pattern no.	standard	optional
sunvas	300..-315..	✓	—
sunsilk	324.. / 325.. / 328.. / 369..	✓	—
sunbow	411..-427..	✓	—
smart art	340..	—	✓
perla FR	371.. / 372..	—	✓
perfotex	331.. / 332..	✓	—
transolair	338..	—	✓
transolair (120 cm)	339..	—	✓
Soltis Perform 92	92-20..	—	—
Serge 600	272..	—	—

**Optional accessories**  
automatic controls (light, wind, rain)  
N.B. Important background information can be found in the chapter “Optional Accessories”.

01 **sunvas** Fabric pattern 301.. / 309.. – 315.. **smart art** 340..  
**transolair** 339.. **sunsilk** 324.. / 325.. / 328.. / 369..  
**perla FR** 371.. / 372..

Fabric width 120 cm

		Awning width				
		100	150	200	250	300
AH	120					
	160					
	200					
	250					
	300					

06 **sunvas** Fabric pattern 31008.. <sup>1)</sup>, -09<sup>1)</sup>, -13, -16, -18, -25, -27, -28, -31, -36, -37, -57, -58, 31109, -14, -17

Fabric width 250 cm

		Awning width				
		100	150	200	250	300
AH	120					
	160					
	200					
	250					
	300					1)

1) also available in fabric width 320 cm – then seamless

10

11 **sunbow** Fabric pattern 411.. - 427..

Fabric width 120 cm

		Awning width				
		100	150	200	250	300
AH	120					
	160					
	200					
	250					
	300					

**Note:** The maximum width of the outer panels in tracfix systems with vertical panel joints is 35 cm

= vertical panel joints (panel width approx. 120 cm)
  = seamless
  = not available
 **AH** = unit height

dimensions in cm

**transolair** Fabric pattern 338..  
Fabric width 250 cm

		Awning width				
		100	150	200	250	300
AH	120					
	160					
	200					
	230					
	300					

**perfortex** Fabric pattern 331.. / 332..  
Fabric width 120 cm

		Awning width				
		100	150	200	250	300
AH	120					
	160					
	200					
	250					
	300					

**Serge 600 (not available)** Fabric pattern 272..  
Fabric width 250 cm

		Awning width				
		100	150	200	250	300
AH	120					
	160					
	200					
	250					
	300					

**Soltis Perform 92 (not available)** Fabric pattern 277..  
Fabric width 177 cm

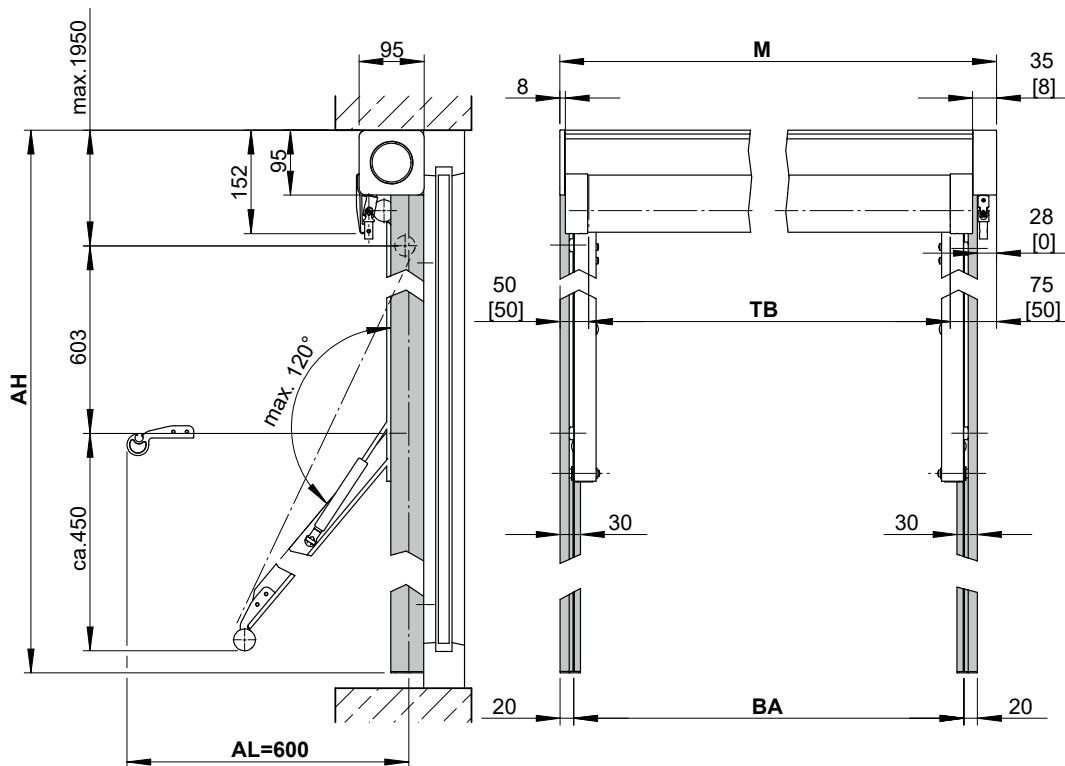
		Awning width				
		100	150	200	250	300
AH	120					
	160					
	200					
	250					
	300					

**Note:** The maximum width of the outer panels in tracfix systems with vertical panel joints is 35 cm

= vertical panel joints (panel width approx. 120 cm)
  = seamless
  = not available
 AH = unit height

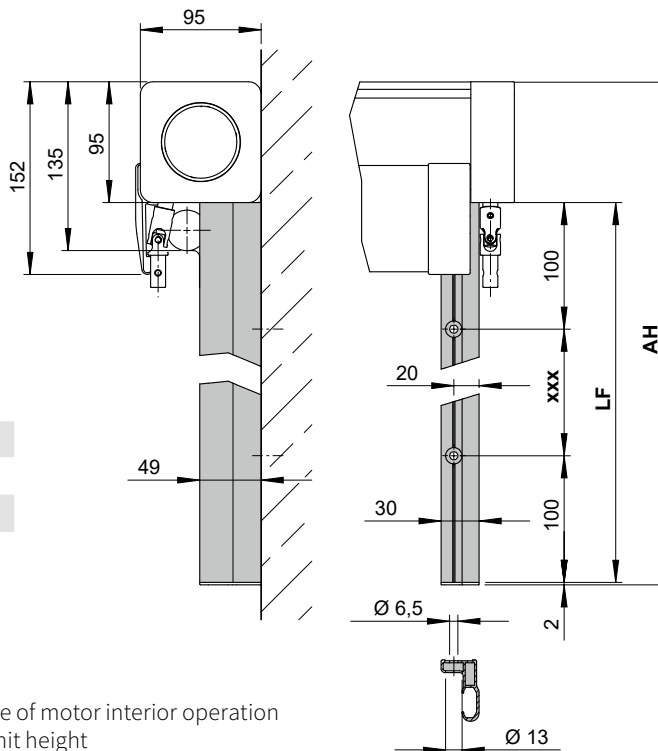
dimensions in cm

# Overview of dimensions



10

## Face fixture



ABO xxx	AH
2	1-1500 mm
3	1501-3000 mm

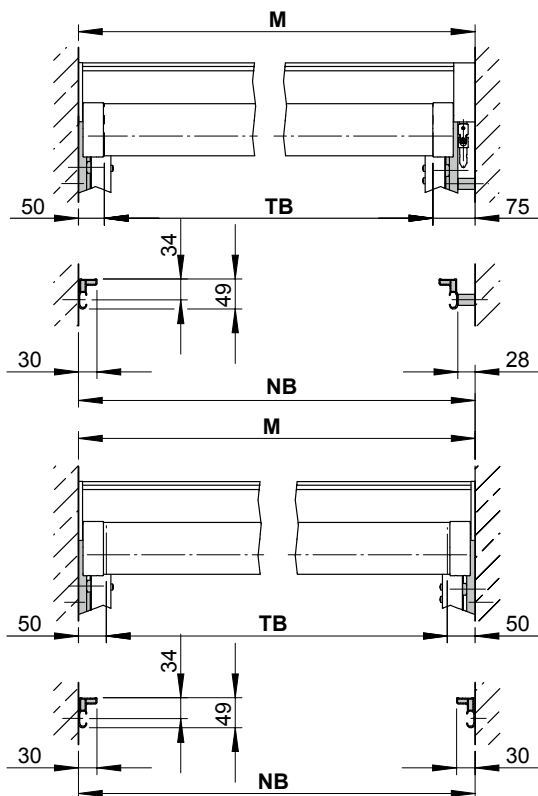
- [...] = dimensions in the case of motor interior operation
- AH = **order dimension** = unit height
- A = arm length
- ABO = number of drill holes in the range xxx
- BA = width between fixture points
- LF = length of the guide rail
- M = **order width** = awning width
- TB = cover width

dimensions in mm

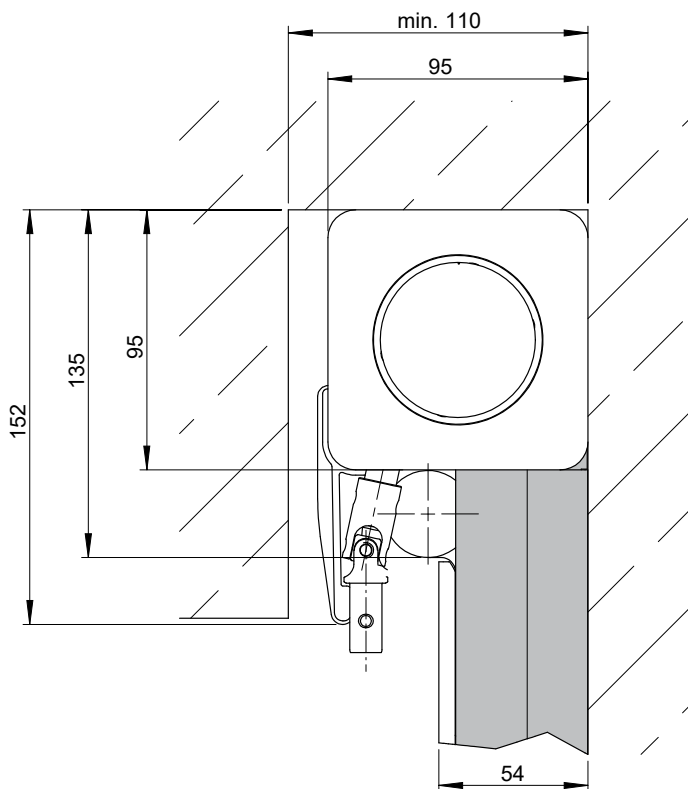


# Reveal fixture

Manual operation or motor drive



Reveal fixture in a top window well, manual operation



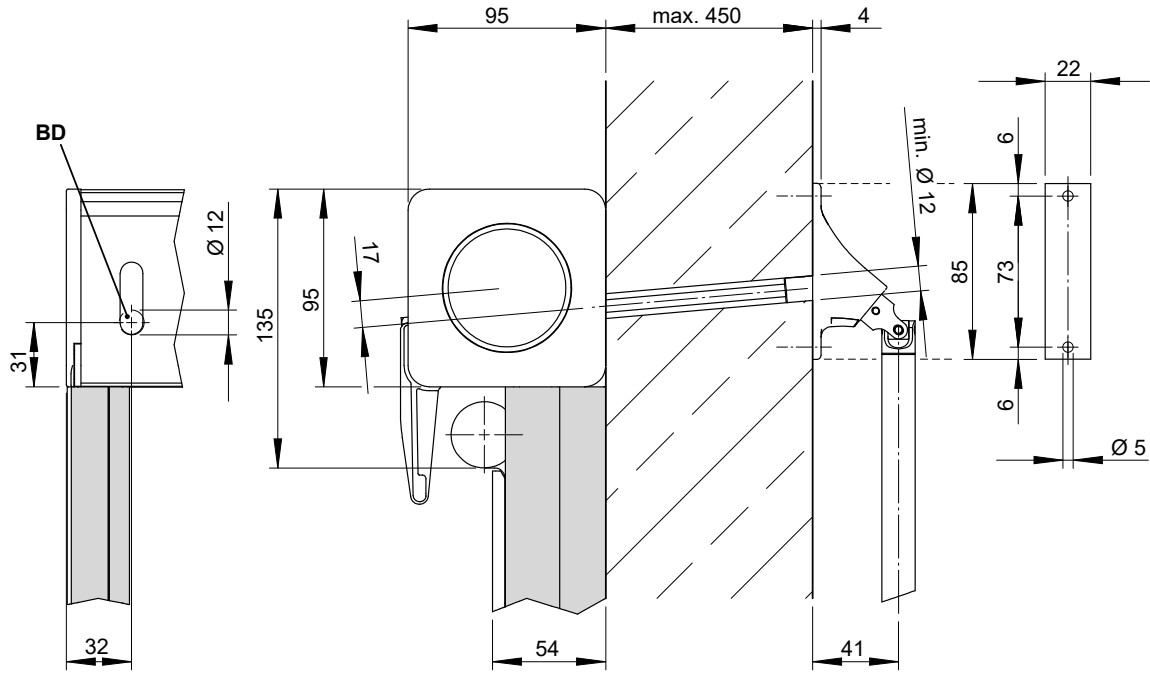
- M = order width = awning width
- NB = reveal width
- TB = cover width

dimensions in mm

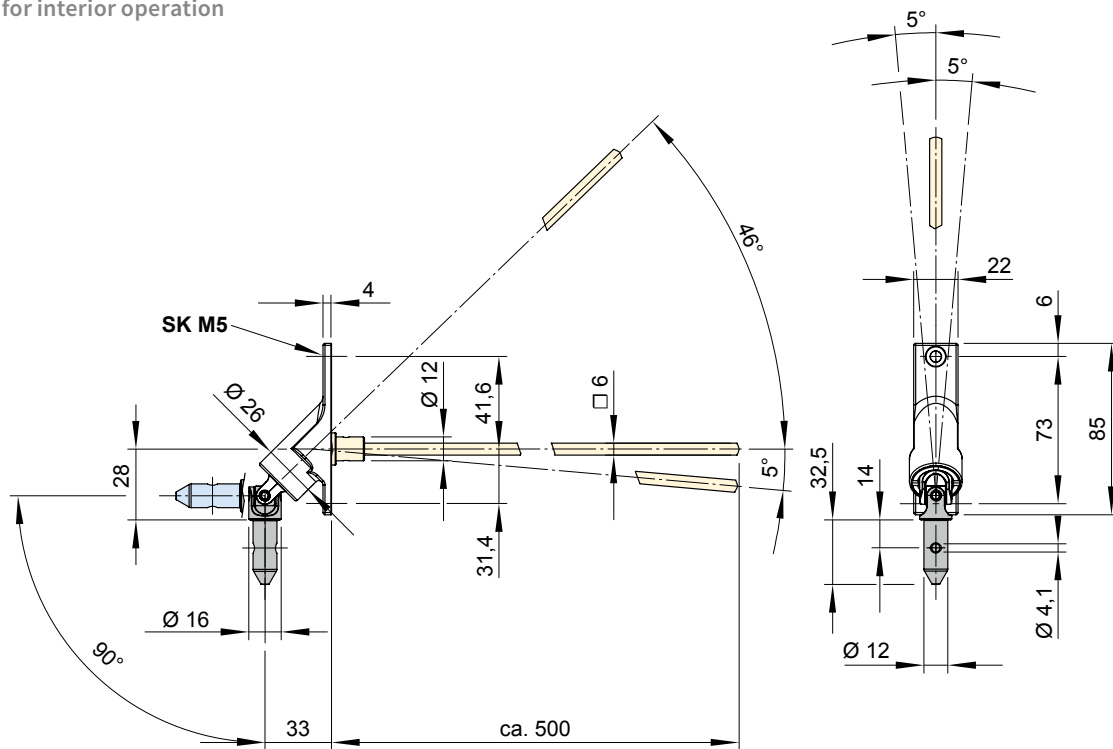
01  
02  
03  
04  
05  
06  
07  
08  
09  
**10**  
11  
12  
13  
14  
15  
16  
17  
18  
19

01 **Face fixture**

02 Manual operation with interior operation



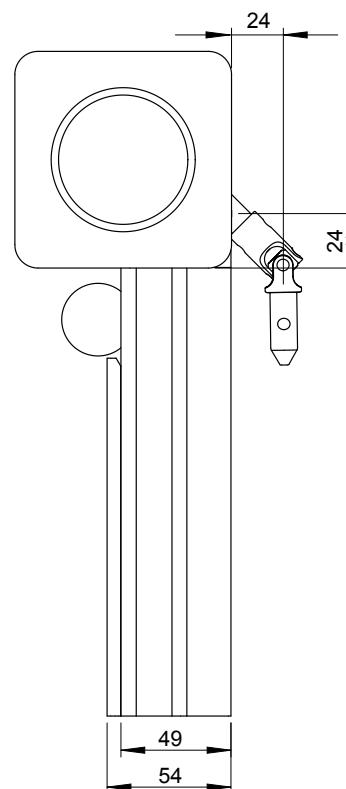
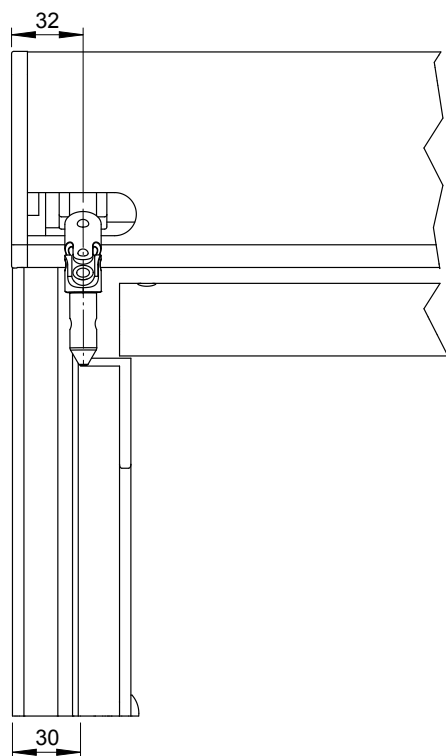
14 **Handle for interior operation**



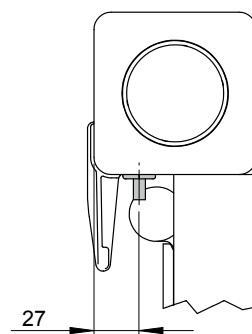
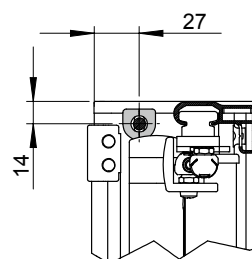
- BD = horizontal drill hole
- SK = countersunk srew hole

dimensions in mm

### Manual operation from the rear



### Motor cable exit point



- 01
- 02
- 03
- 04
- 05
- 06
- 07
- 08
- 09
- 10**
- 11
- 12
- 13
- 14
- 15
- 16
- 17
- 18
- 19

dimensions in mm

01

02

03

04

05

06

07

08

09

**10**

11

12

13

14

15

16

17

18

19