



Vertical cassette blind

markilux 710

Compact cassette blind with cable guides.

Product Characteristics

Wind resistance class 2
Beaufort 5 → 7.5–10.4 m/s → 28–37 km/h → 17–23 mph



01
02
03
04
05
06
07
08
09
10
11
12
13
14
15
16
17
18
19

face fixture, standard gearbox operation

top fixture, motor operation ¹⁾

standard cable tensioner



1) Optional accessories

Product Characteristics

Description

- vertical blind with cable guides and gravity-fed cover tensioning system – for areas up to 17,5 m²

Special features

- fully encompassing cassette that protects the cover perfectly
- compact cassette profile that lends an attractive appearance to the unit
- unobtrusive cable guides at the side
- option of manual operation from inside the building, drive shaft passes through the wall

Dimensions

- single unit: 74–500 cm in width, maximum extension 350 cm
- maximum width × height: 500 mm × 350 cm
- intermediate sizes are available

Roller tube and lateral bearings

- round roller tube Ø 63 mm with keyway, galvanised steel
- the roller tube bearing is made of stainless steel

Awning profiles

- extruded aluminium, in façade quality, powder coated
- cassette profile in one piece, angular, height × depth 95 mm × 95 mm
- front profile round, Ø 32 mm
- guide cables in stainless steel, coated in transparent plastic, Ø 3 mm

End caps

- the cassette end caps are made of high-quality plastic, powder coated
- the bottom profile end caps are made of high-quality plastic, dyed right through, RAL 7011 steel grey

Fixture brackets

- extruded aluminium, powder coated
- cassette brackets: face fixture, top fixture, reveal fixture
- bracket assemblies for the guide cables: universal brackets with tensioning mechanism
- other accessories are available

01
02
03
04
05
06
07
08
09
10
11
12
13
14
15
16
17
18
19

01 **Frame colours**

02 markilux frame colours without surcharge

03 traffic white, RAL 9016



04 metallic aluminium, RAL 9006



05 grey brown, similar to RAL 8019

06 **08**09 off-white textured finish, 5233 ¹⁾10 stone grey metallic, 5215 ¹⁾11 anthracite metallic, 5204 ¹⁾12 havana brown textured finish, 5229 ¹⁾13 **Non-standard powder-coated finish**

14 Bespoke frame colours incur a surcharge – matt, metallic, finely textured and pearl finishes as well as other colour ranges (DB, Tiger etc.) on request. All frame colours are available at a surcharge with enhanced corrosion protection.

15 Colours may differ slightly from those depicted in both hue and finish.

16 **1) textured finish**

Dimensions and configuration options

Single unit

		Awning width								Minimum awning width		
		100	150	200	250	300	350	400	450	500	Hard-wired motor	Radio-controlled motor
Order dimensions		50	101	151	201	251	301	351	401	451	75	74
		100	150	200	250	300	350	400	450	500		
AH	120											
	160											
	200											
	250											
	300											
	350											

dimensions in cm

AH = unit height



= 2 brackets



= 3 brackets

Operation

	standard	optional
crank handle, outside	✓	—
crank handle, at the rear	—	✓
crank handle, internal operation	—	✓
hard-wired motor	—	✓
radio-controlled motor io, 868 MHz	—	✓
radio-controlled motor RTS, 433 MHz	—	✓

Coupled awnings

not available

Awning cover

fabric pattern no.	standard	optional
sunvas 300..–315..	✓	—
sunsilk 324.. / 325.. / 328.. / 369..	✓	—
sunbow ¹⁾ 411..–427..	✓	—
smart art 340..	—	✓
perla FR 371.. / 372..	—	✓
perfotex 331.. / 332..	✓	—
transolair 338..	—	✓
transolair (120 cm) 339..	—	✓
Soltis Perform 92 92–20..	—	✓
Serge 600 272..	—	—

¹⁾ up to max. 300 cm projection available

Optional accessories

automatic controls (light, wind, rain)

N.B. Important background information can be found in the chapter “Optional Accessories”.

01 **sunvas** Fabric pattern 301.. / 309.. – 315.. **smart art** 340..
transolair 339.. **sunsilk** 324.. / 325.. / 328.. / 369..
perla FR 371.. / 372..
 02 Fabric width 120 cm

		Awning width								
		100	150	200	250	300	350	400	450	500
AH	120									
	160									
	200									
	250									
	300									
	350									

07 **sunvas** Fabric pattern 31008..¹⁾, -09¹⁾, -13, -16, -18, -25, -27, -28, -31, -36, -37, -57, -58, 31109, -14, -17
 Fabric width 250 cm

		Awning width								
		100	150	200	250	300	350	400	450	500
AH	120									
	160									
	200									
	240									
	300					1)	1)			
	350					1)	1)			

1) also available in fabric width 320 cm – then seamless

08 **sunbow** Fabric pattern 411.. - 427..
 Fabric width 120 cm

		Awning width								
		100	150	200	250	300	350	400	450	500
AH	120									
	160									
	200									
	250									
	300									
	350									

Note: The maximum width of the outer panels in tracfix systems with vertical panel joints is 35 cm
 = vertical panel joints = seamless = not available
 (panel width approx. 120 cm) = horizontal panel joint(s) AH = unit height

dimensions in cm

transolair Fabric pattern 338..
Fabric width 250 cm

		Awning width								
		100	150	200	250	300	350	400	450	500
AH	120									
	160									
	200									
	240									
	300									
	350									

perfortex Fabric pattern 331.. / 332..
Fabric width 120 cm

		Awning width								
		100	150	200	250	300	350	400	450	500
AH	120									
	160									
	200									
	250									
	300									
	350									

Serge 600 Fabric pattern 272..
Fabric width 250 cm

		Awning width								
		100	150	200	250	300	350	400	450	500
AH	120									
	160									
	200									
	250									
	300									
	350									

Soltis Perform 92 Fabric pattern 277..
Fabric width 177 cm

		Awning width								
		100	150	185	250	300	350	400	450	500
AH	120									
	160									
	172									
	250									
	300									
	350									

Note: The maximum width of the outer panels in tracfix systems with vertical panel joints is 35 cm

= vertical panel joints (panel width approx. 120 cm)
 = seamless
 = not available
 = horizontal panel joint(s)
 AH = unit height

dimensions in cm

Fixtures, fittings and accessories

01

02

03

04

05

06

07

08

09

10

11

12

13

14

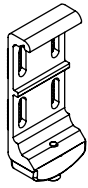
15

16

17

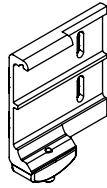
18

19



face fixture bracket
50 mm

78797.

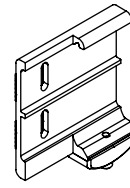


face fixture bracket
with fishplate for lateral
fixture, right

N.B! not for the
operation side:

- interior operation
- operation from the
rear

78920.

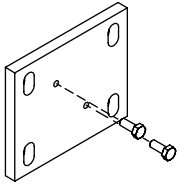


face fixture bracket
with fishplate for lateral
fixture, left

N.B! not for the
operation side:

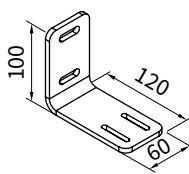
- interior operation
- operation from the
rear

78921.



spreader plate
120 × 100 × 10 mm

78982.



additional angled
bracket for reveal
fixture

100 × 120 × 60 mm

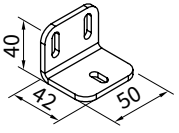
please order additional
accessories 792931!

77220.



accessories
for two angled brackets
77220. or 78565.

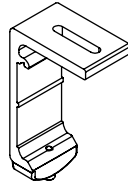
792931



additional angled
bracket for reveal fix-
ture of the guide cable

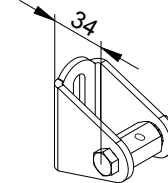
40 × 42 × 50 mm
please order additional
accessories 792931!

78565.



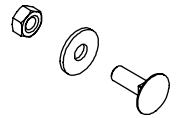
top fixture bracket
50 mm

78859.



accessories
for 2 tensioning cables

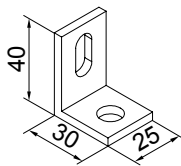
78761.



accessories
for one angled bracket

70930., 70940. or 79050

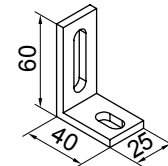
799141.



angled bracket
40 × 30 × 25 mm

please order additional
accessories 799141!

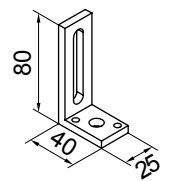
70950.



angled bracket
60 × 40 × 25 mm

please order additional
accessories 799141!

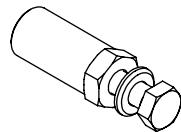
70940.



angled bracket
80 × 40 × 25 mm

please order additional
accessories 799141!

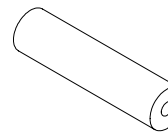
70930.



reduction bolt
M 10 → M 6 / SW 13

30 mm length
pack 10 pcs

8440381

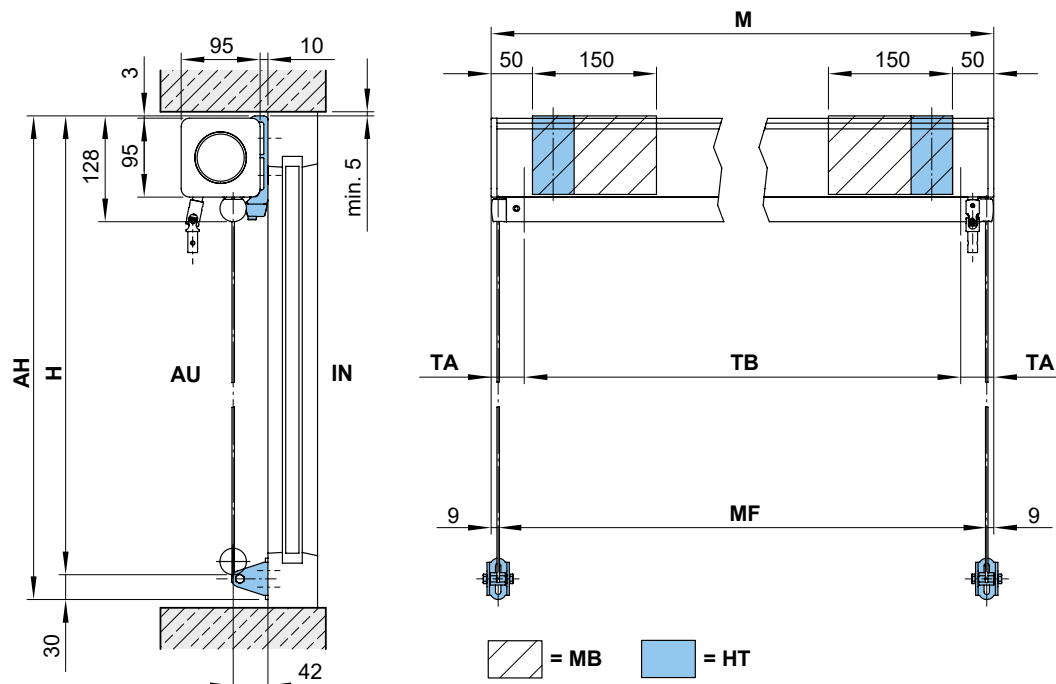


stand-off fixing tube
30 × 10 × 1000 mm

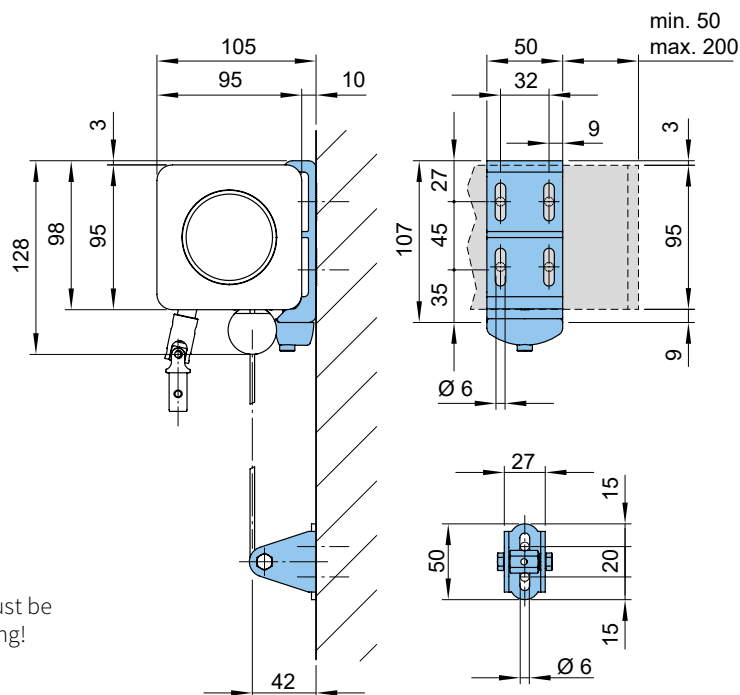
N.B.!
Stack to a max. height
of 120 mm

701668

Overview of dimensions



Face fixture



N. B.: If awnings are installed directly next to one another, a minimum distance of 25 mm must be maintained between each awning!

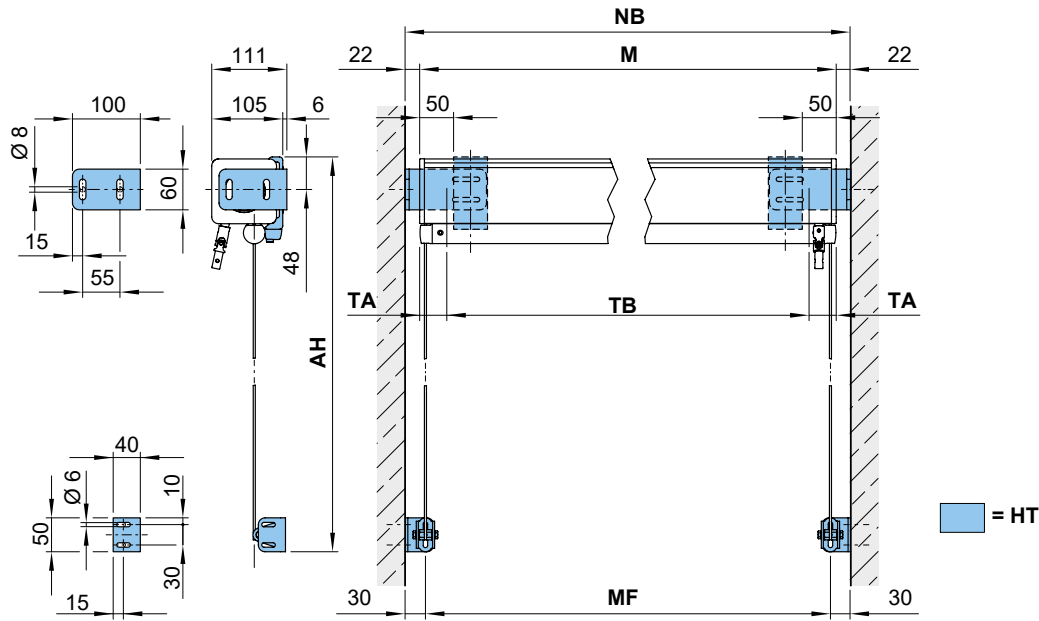
- | | | | |
|-----------|---------------|-----------|---|
| AH | = unit height | M | = awning width |
| AU | = exterior | MB | = bracket fixture range |
| H | = drop | MF | = centre of the cable guide, centre of the stainless steel guide rod, fixture width |
| HT | = bracket | TA | = cover width deductions (operation side = 50 mm, bearing side = 30 mm) |
| IN | = interior | TB | = cover width |

dimensions in mm

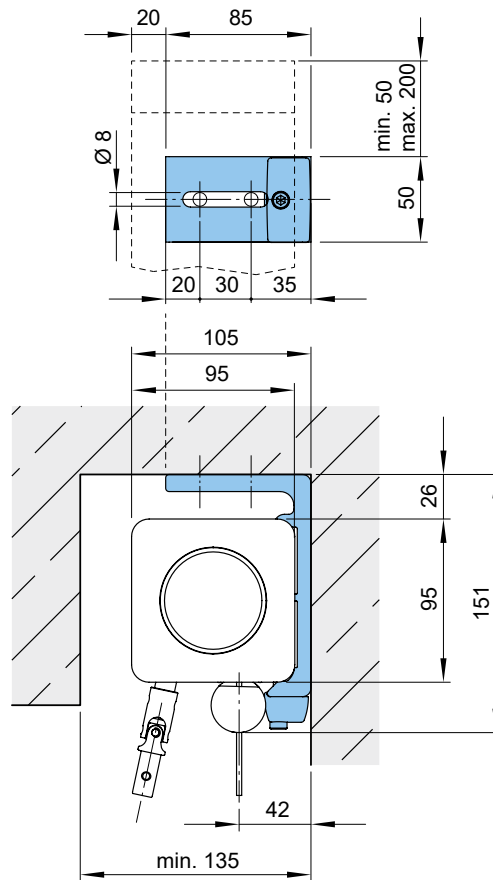
01
02
03
04
05
06
07
08
09
10
11
12
13
14
15
16
17
18
19

01 **Reveal fixture**

02 Manual operation or motor drive



13 Reveal fixture in a top window well, manual operation



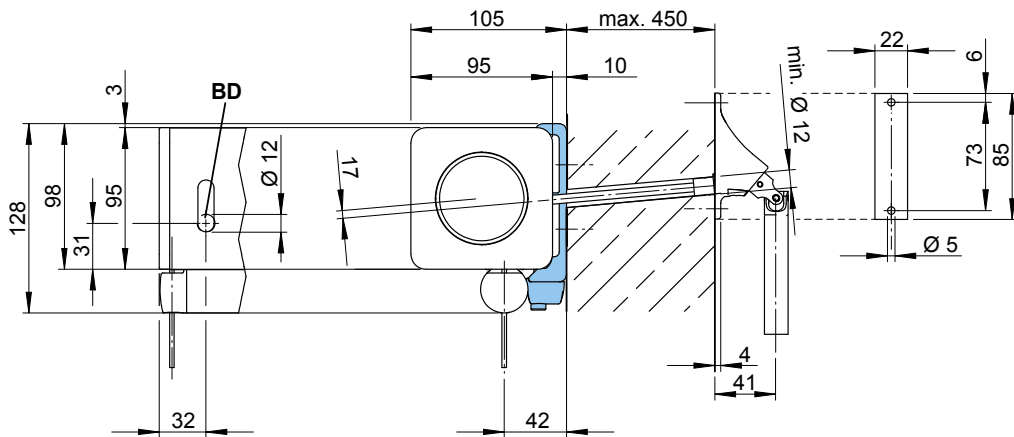
- AH = unit height
- HT = bracket
- M = awning width

- MF = centre of the cable guide, centre of the stainless steel guide rod, fixture width
- NB = reveal width
- TA = cover width deductions (operation side = 50 mm, bearing side = 30 mm)
- TB = cover width

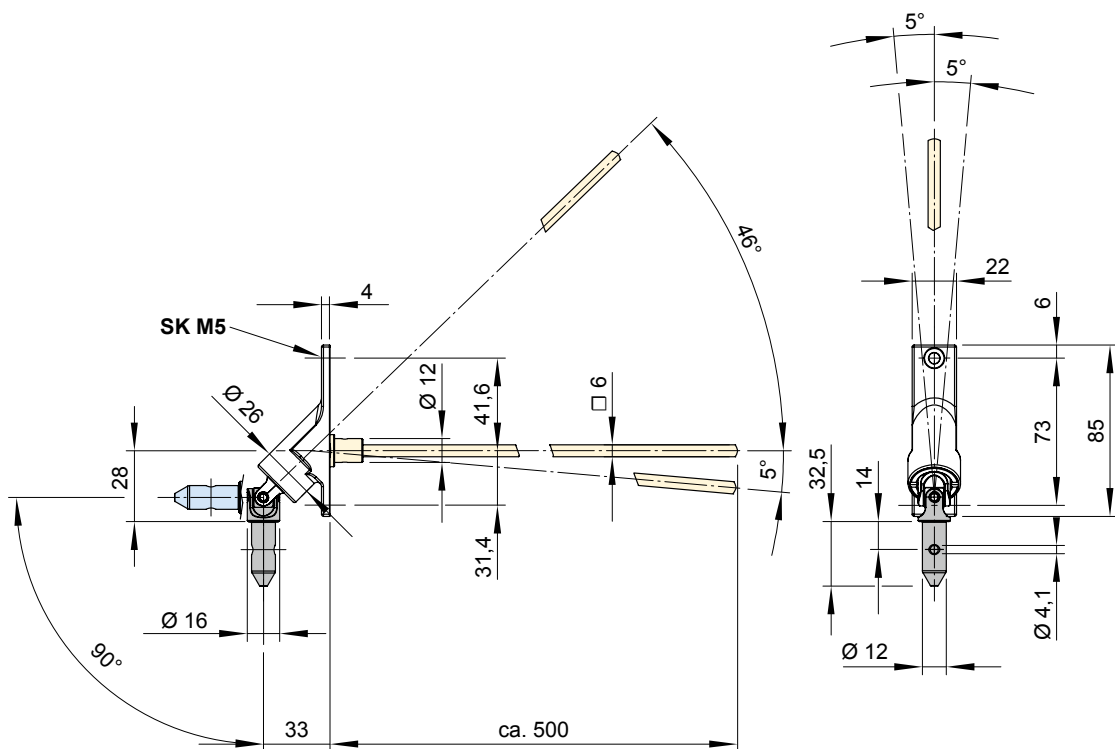
dimensions in mm

Face fixture

Manual operation with interior operation



Handle for interior operation



- BD = horizontal drill hole
- SK = countersunk screw hole

dimensions in mm

01
02
03
04
05
06
07
08
09
10
11
12
13
14
15
16
17
18
19

01 **Manual operation from the rear**

02

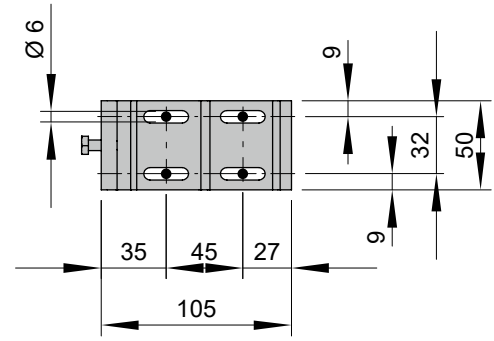
03

04

05

06

07



08

09

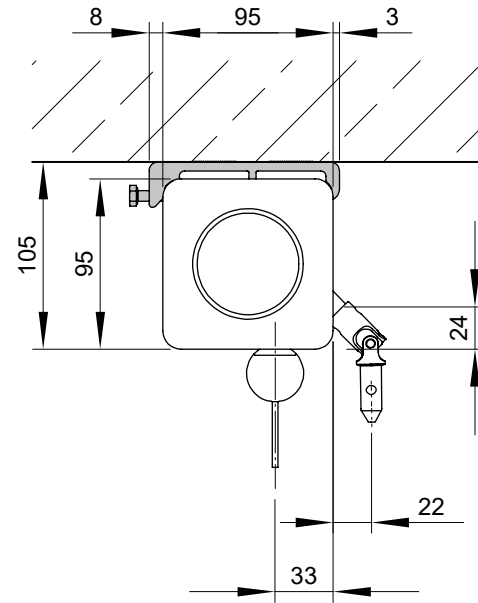
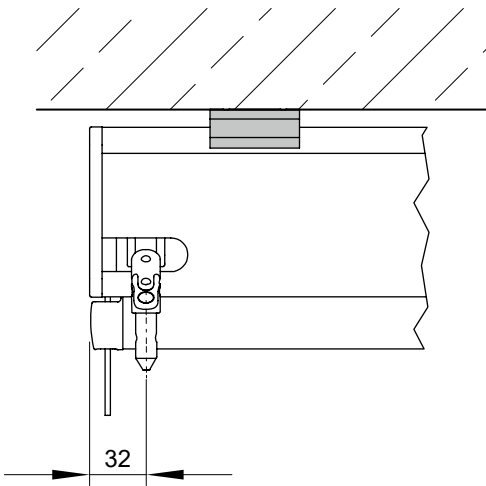
10

11

12

13

14



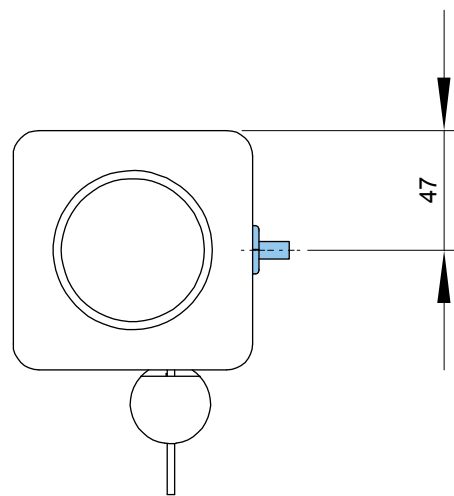
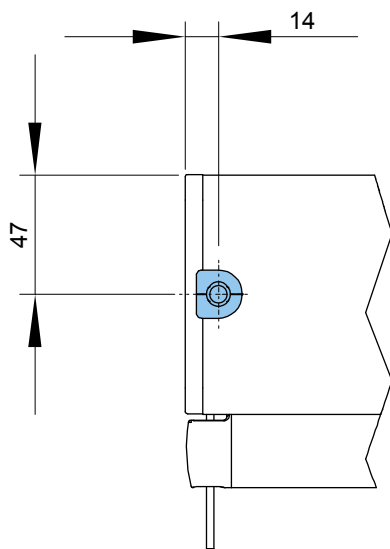
15

16 **Motor cable exit point**

17

18

19



dimensions in mm